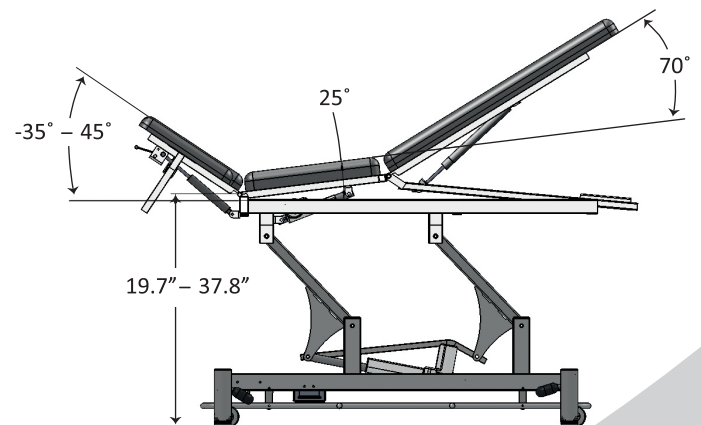
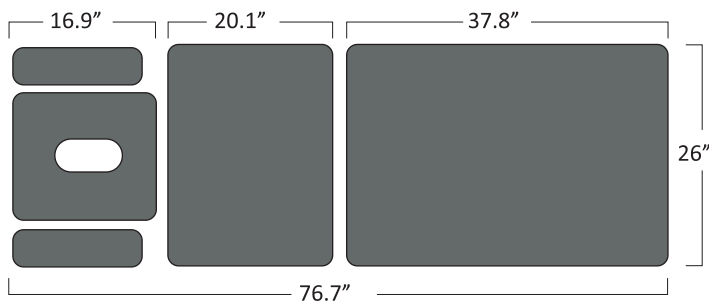


ELECTRIC TREATMENT TABLE

CONFY CARE

5 SECTIONS

- Electric height adjustable by footbar system (19.7" - 37.8")
- 4 multidirectional casters
- Cushions thickness: 2"
- Loading weight: 495 lbs (225 kgs)
- Paper roll holder available as option
- Certification: tested according to the Canadian standard by QPS CE, FDA, ISO 9001-2008, ISO 13485-2007
- Warranty:
 - Motor/Control box: 4 years
 - Frame: 4 years
 - Cushions: 2 years



AVAILABLE COLOURS



BLACK



CHARCOAL



NAVY
BLUE

DISTRIBUTED BY



190, St-Elzéar West Blvd.
Laval (Québec) H7L 3N3
T 450 669.8985 | 1 800 361.0877
F 450 669.9532 | 1 888 935.7001

www.mtm.ca